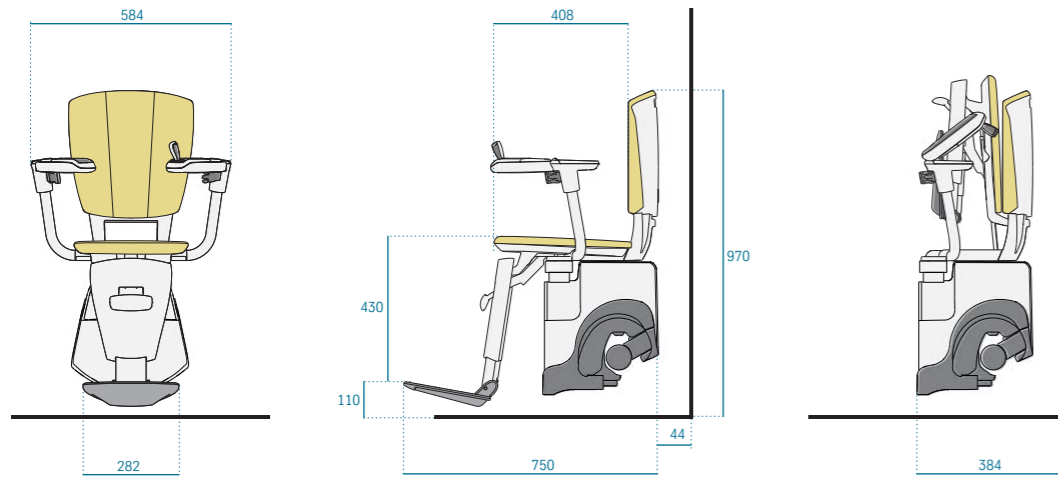


Technical specifications



Extensive Product Range

Lift Able can provide quotations for an extensive range of access equipment including straight and curved stairlifts, domestic Through the floor and step lifts, vertical and inclined platform lifts.

After Sales Service & Peace of Mind

Lift Able are the acknowledged leaders in stairlift customer service and it is the foundation of our success and reputation.

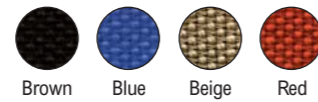
Our Service Desk

On call 24 hours a day, 365 days a year our telephone helpline (01642) 763646 is always manned by experienced and caring staff. You can rest assured that with Lift Able you will benefit from years of experience and dedication in providing our customers with a first class service.

Product Warranty

Extended warranties and service packages are available, please call our Service Desk for further details.

Fabric upholstery colour options available:



Vinyl upholstery colour options available:



Flow Curved rail stairlift



The photos, drawings and other information are simply an indicator and could be modified without any notice.



Unique 80mm "special drop nose" eliminates the need for expensive hinged rail in most cases.

Lift Able

Head Office: Easter Park, Earlsway, Teesside Industrial Estate, Stockton-on-Tees TS17 9NT

Branch Office: 236 Europa Boulevard, Gemini Business Park, Warrington, Cheshire WA5 7TN

Enquiries: +44 (0)1642 768590

Service: +44 (0)1642 763646

Fax: +44 (0)1642 766590

Email: sales@liftable.co.uk

www.liftable.co.uk



Lift Able

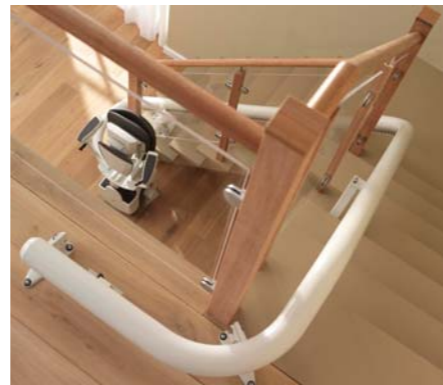


ThyssenKrupp

Flow curved rail stairlift

Auto Swivel Option

- Can travel on stairs 650mm wide.
- Footrest does not need to clear treads giving considerably lower track position on the stairs.
- Can turn at 170°.
- Seat and footrest swivel together.



First Choice for Versatility

Flow is probably the most versatile stairlift available and is fitted to your stairs not the wall. Flow can fit straight, curved and spiral staircases. The rail on Flow can be extended so that the lift can be parked neatly away from your staircase at the top or bottom landing.

First Choice for Convenience

The Flow Stairlift is compact and folds away to only 340mm when not in use, leaving maximum space on your staircase or landing. Flow is very versatile and fits on the inside or outside of the

staircase. You can even choose where to park Flow on your staircase with "designated park points" as an option. The clever design of the Flow stairlift means that you will not be stranded in a power cut as your lift will continue for several journeys. If you forget to park your lift on the charge point it will go into "sleep mode" after 15 minutes to retain the power in the battery.

First Choice for Flexibility

Whatever the layout of your stairs, we can provide a solution to help.

Option of Auto Swivel Seat

Using an auto swivel seat you can fit the Flow stairlift onto the narrowest of stairs. An advanced ride monitoring system automatically turns the chair and footrest to travel past the narrowest staircase section – exclusive to the Flow stairlift. With the auto swivel option the seat height can be as low as 455mm.

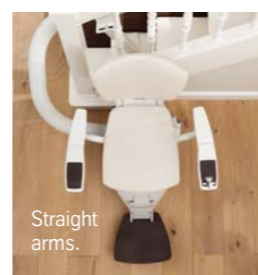
Always Put Customer Service First

As one of only a few manufacturers who are members of LEIA (Lift and Escalator Industry Association) you can have complete peace of mind, safe in the knowledge that you have chosen a company who have built a long and enviable reputation as a manufacturer

'who always put customer service first'.

Standard Equipment on Flow

- Weight limit 125kg.
- Linked seat and footrest.
- Retractable safety belt.
- 3 joystick controls.
- Soft start and arrival for smooth journey.
- Unique emergency lowering device.
- Manual swivel – so easy to use with no extra cost.
- "Drop nose" rail finish to save space at bottom landing.
- Radio controlled Call-Send controls for top and bottom of stairs – no wiring.
- Two park/charge points for the top and bottom of the stairs.
- Individual folding arms so you can get off easily.
- Four rail and 10 upholstery colour choices at no extra cost.
- EN81-40 certification.



Choice of easy to use arm controls

Specialists in
Access Solutions